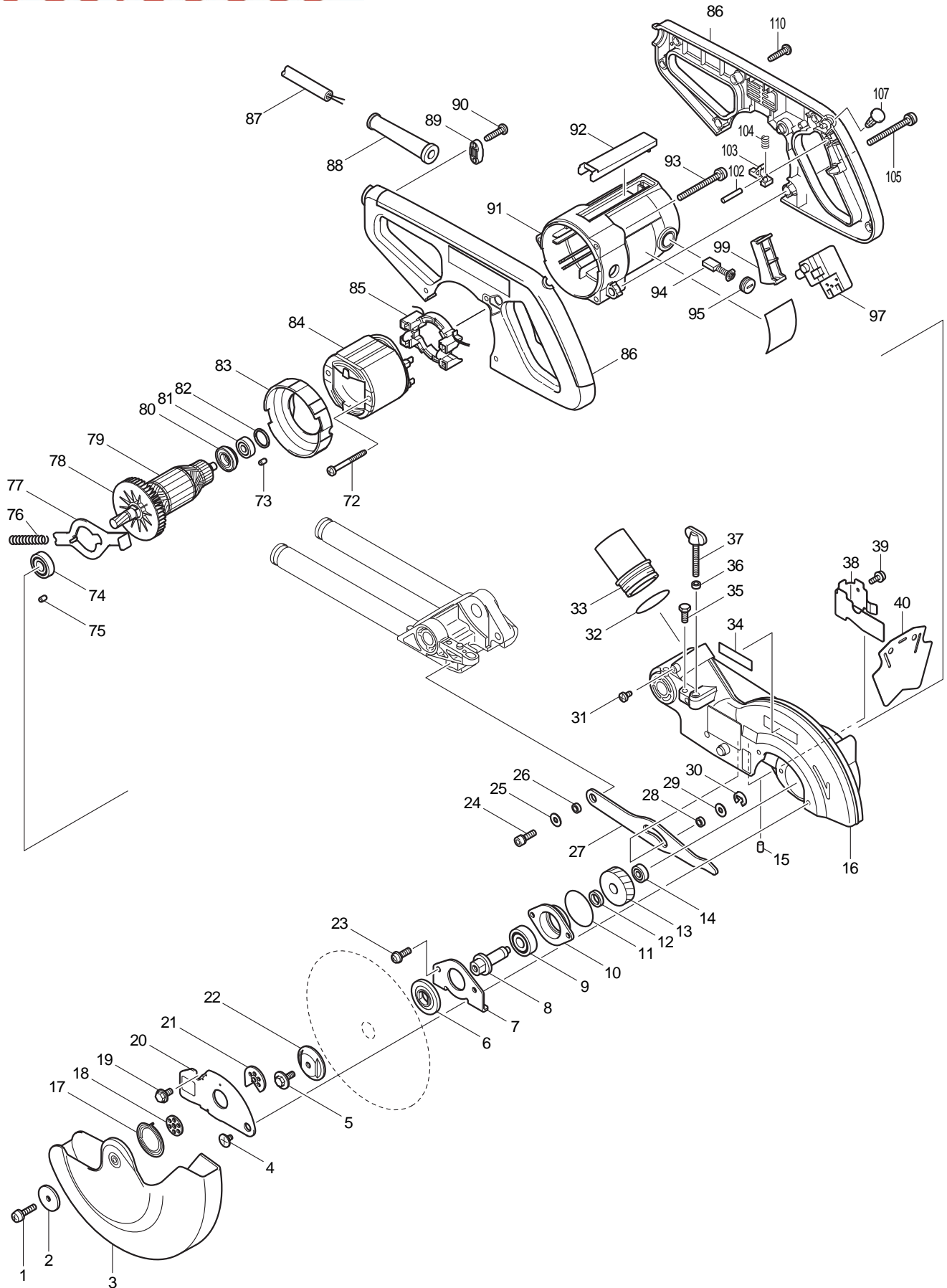
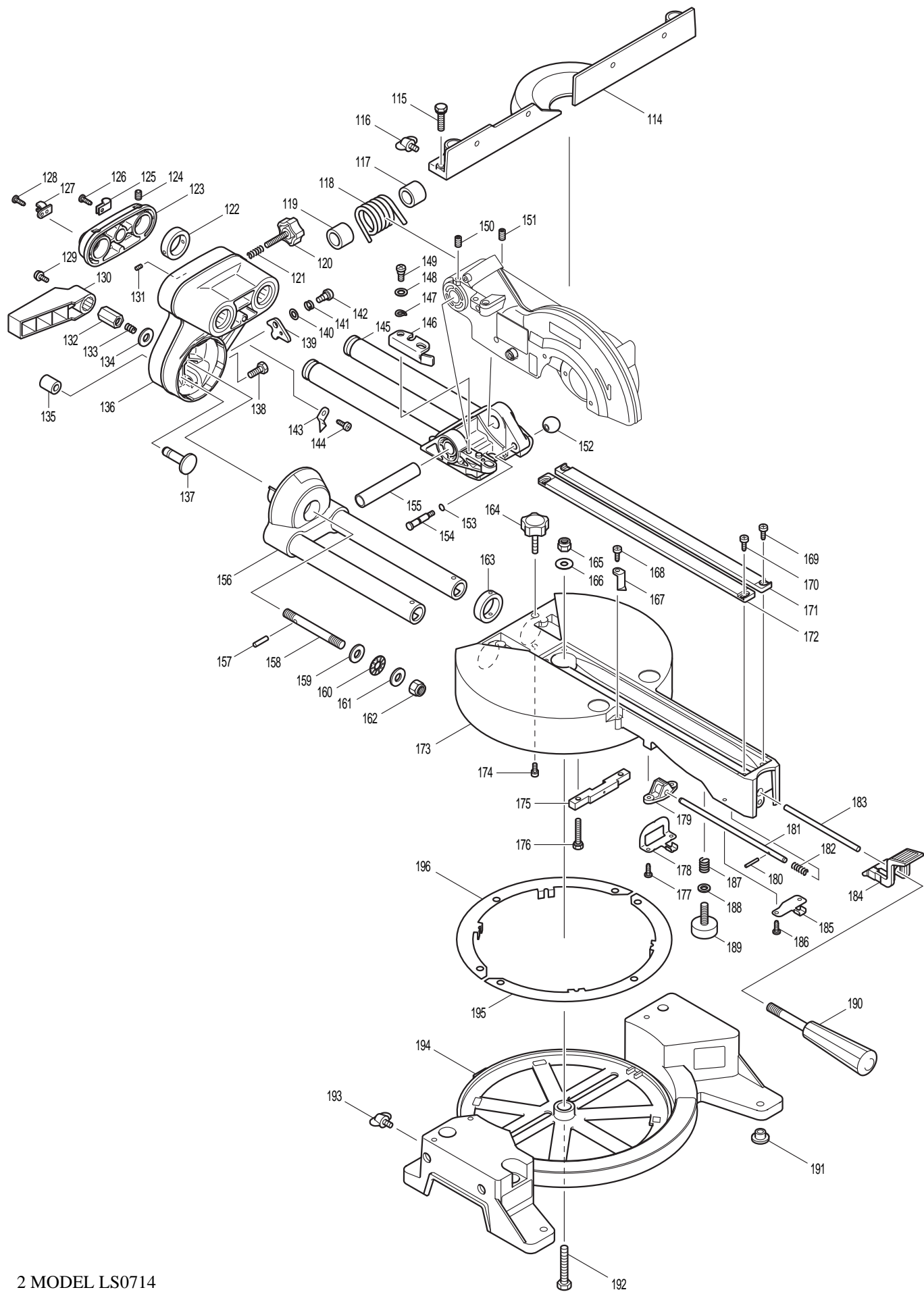




03 - 2010
LS0714 / LS0714B
7-1/2" SLIDE COMPOUND MITRE SAW





Item No	Type	Ref	Part No	Description	Qty	Unit
1			911228-4	PAN HEAD SCREW M5X18	1	PC.
2			267136-0	FLAT WASHER 5	1	PC.
3	3		419944-7	SAFETY COVER (OLD# 418656-9 or 419224-1)	1	PC.
	4		453297-4	SAFETY COVER	1	PC.
4			265008-3	+ FLAT HEAD SCREW K5	1	PC.
5	1		265461-3	HEX.BOLT M6X18	1	PC.
	2		266733-9	HEX.BOLT M6X16	1	PC.
6			224151-7	INNER FLANGE 40	1	PC.
7			285715-2	BEARING RETAINER 55	1	PC.
8			323798-5	SPINDLE	1	PC.
9			211129-9	BALL BEARING 6201DDW	1	PC.
10			317037-3	BEARING BOX	1	PC.
11			213565-5	O RING 42	1	PC.
12			257010-0	RING 12	1	PC.
13			226497-7	HELICAL GEAR 47	1	PC.
14			211021-9	BALL BEARING 607LLB	1	PC.
15			263005-3	RUBBER PIN 6	1	PC.
16	1		183885-0	BLADE CASE - N/L/A	1	PC.
	INC.		817667-5	CAUTION LABEL	1	PC.
	INC.			Item No. 15,34,75		
	2		188246-9	BLADE CASE	1	PC.
	INC.		817667-5	CAUTION LABEL	1	PC.
	INC.			Item No. 15,34,75		
17			231934-8	SPIRAL SPRING 26	1	PC.
18			344639-2	CENTER WASHER	1	PC.
19	1		265473-6	HEX.BOLT M6X14	1	PC.
	2		266732-1	HEX.BOLT M6X16	1	PC.
20			344641-5	CENTER COVER	1	PC.
21			345410-7	CENTER PLATE	1	PC.
22			224275-9	OUTER FLANGE 40	1	PC.
23			911223-4	PAN HEAD SCREW M5X16	2	PC.
24			922331-6	HEX. SOCKET HEAD BOLT M6X20	1	PC.
25			253804-1	FLAT WASHER 6	1	PC.
26			257163-5	RING 6	1	PC.
27			345411-5	LINK PLATE	1	PC.
28			257163-5	RING 6	1	PC.
29			253804-1	FLAT WASHER 6	1	PC.
30			961018-5	STOP RING E-5	1	PC.
31			266061-2	TAPPING SCREW	1	PC.
32			213460-9	O RING 35	1	PC.
33	1		416133-5	DUST NOZZLE - N/L/A	1	PC.
	2		419277-0	DUST NOZZLE	1	PC.
34	1		819063-3	MAKITA LABEL	1	PC.
	2		819197-2	MAKITA LOGO LABEL	1	PC.
35	1		265381-1	HEX. BOLT M6X16	1	PC.
	2		266757-5	HEX. BOLT M6X16	1	PC.
36			262001-8	URETHANE RING 5	1	PC.
37			265717-4	SCREW M6X43	1	PC.
38			345438-5	GUARD PLATE	1	PC.
39			911113-1	PAN HEAD SCREW M4X10	1	PC.
40			423333-0	GUARD	1	PC.
72			266046-8	TAPPING SCREW 5X50	2	PC.
73			263002-9	RUBBER PIN 4	1	PC.
74			211101-1	BALL BEARING 6001LLB	1	PC.
75			263002-9	RUBBER PIN 4	1	PC.
76			233092-6	COMPRESSION SPRING 5	1	PC.

Item No	Type	Ref	Part No	Description	Qty	Unit
77			344642-3	SHAFT LOCK	1	PC.
78			240030-1	FAN 70	1	PC.
79			510063-3	ARMATURE ASS'Y 115V	1	PC.
		INC.		Item No. 74,78,80,81		
80			681644-1	INSULATION WASHER	1	PC.
81			211031-6	BALL BEARING 608LLB	1	PC.
82			261110-0	URETHANE WASHER 18	1	PC.
83			416537-1	BAFFLE PLATE	1	PC.
84			634306-0	FIELD 115V	1	PC.
85			632847-0	SUPPORT COMPLETE	1	PC.
86			183876-1	HANDLE SET	1	SET
		INC.	810642-0	CAUTION LABEL	1	PC.
87			664059-7	CORD W/PLUG 2P-18-3.0M	1	PC.
88			682503-2	CORD GUARD 8-90	1	PC.
89			687063-9	CORD CLAMP	1	PC.
90			265995-6	TAPPING SCREW 4X18	2	PC.
91			151822-2	MOTOR HOUSING COMPLETE	1	PC.
		INC.	643708-9	BRUSH HOLDER 5-11	2	PC.
		INC.	817881-3	CAUTION LABEL	1	PC.
		INC.		Item No. 73		
92			416538-9	UPPER COVER	1	PC.
93			911273-9	PAN HEAD SCREW M5X50	3	PC.
94	1		191963-2	CARBON BRUSH CB-303 2PC/SET (W/O ORIGIN) -N/L/A	1	SET
	2		194996-6	CARBON BRUSH CB-303 2PC/SET (W/ ORIGIN)	1	SET
95			643755-0	HOLDER CAP	2	PC.
97			651923-1	SWITCH TG70B	1	PC.
99			416534-7	SWITCH LEVER	1	PC.
102			256098-7	PIN 5	1	PC.
103			416533-9	LOCK OFF LEVER	1	PC.
104			231026-3	COMPRESSION SPRING 4	1	PC.
105			911273-9	PAN HEAD SCREW M5X50	3	PC.
107			411478-6	SWITCH BUTTON	1	PC.
110			265995-6	TAPPING SCREW 4X18	5	PC.
114	1		317039-9	GUIDE FENCE - N/L/A	1	PC.
	2		317948-2	GUIDE FENCE	1	PC.
115	1		265489-1	HEX. BOLT M6X25	3	PC.
	2		922344-7	HEX.BOLT M6X25 WITH WG	3	PC.
116			251887-5	SCREW M6X10	1	PC.
117			416535-5	SLEEVE 17	1	PC.
118			231638-2	TORSION SPRING 28	1	PC.
119			416535-5	SLEEVE 17	1	PC.
120			251897-2	SCREW M6X33	1	PC.
121			231325-3	COMPRESSION SPRING 6	1	PC.
122			257214-4	RING 26	1	PC.
123			317617-5	PIPE HOLDER	1	PC.
124			266208-8	H.S.SET SCREW(CUP POINT)M6X8	2	PC.
125	1		687042-7	STRAIN RELIEF	1	PC.
	2		687095-6	STRAIN RELIEF	1	PC.
126			266026-4	TAPPING SCREW BIND CT 4X12	1	PC.
127	1		416536-3	* WRENCH HOLDER	1	PC.
	2		687045-1	* CORD CLAMP	1	PC.
128			266026-4	* TAPPING SCREW BIND CT 4X12 (OLD)	1	PC.
129			911113-1	PAN HEAD SCREW M4X10	1	PC.
130			416006-2	LEVER 100	1	PC.
131			913106-4	SET SCREW M4X8	1	PC.
132			252144-4	HEX. NUT M10-17	1	PC.

Item No	Type	Ref	Part No	Description	Qty	Unit
133			231266-3	COMPRESSION SPRING 5	1	PC.
134			253024-7	FLAT WASHER 10	1	PC.
135			286236-7	CAP 16	1	PC.
136			153463-0	ARM COMPLETE	1	PC.
137			324295-4	RELEASE PIN	1	PC.
138	1		265381-1	HEX. BOLT M6X16	2	PC.
	2		266757-5	HEX. BOLT M6X16	2	PC.
139			345299-3	STOPPER PLATE	1	PC.
140			253726-5	FLAT WASHER 6	1	PC.
141			231663-3	TORSION SPRING 8	1	PC.
142			265113-6	+PAN HEAD SCREW J5	1	PC.
143			343678-9	POINTER	1	PC.
144			266026-4	TAPPING SCREW BIND CT 4X12	1	PC.
145			153462-2	FRONT ARM COMPLETE	1	PC.
146			344643-1	STOPPER ARM	1	PC.
147			253948-7	WAVE WASHER 8	1	PC.
148			253835-0	FLAT WASHER 8	1	PC.
149			251267-5	+ PAN HEAD SCREW K6	1	PC.
150			251961-9	H.S.SET SCREW(FLAT POINT)M6X10	1	PC.
151			251961-9	H.S.SET SCREW(FLAT POINT)M6X10	1	PC.
152			271601-3	KNOB 20	1	PC.
153			213021-5	O RING 5	1	PC.
154			324183-5	STOPPER PIN	1	PC.
155			331350-5	PIPE 16-90	1	PC.
156			153482-6	ARM HOLDER COMPLETE	1	PC.
		INC.	816392-5	BEVEL SCALE LABEL	1	PC.
157			256100-6	PIN 5	1	PC.
158			266320-4	SCREW M10	1	PC.
159			253024-7	FLAT WASHER 10	1	PC.
160			216413-7	THRUST NEEDLE CAGE 1024	1	PC.
161			253024-7	FLAT WASHER 10	1	PC.
162			252130-5	HEX. LOCK NUT M10-17	1	PC.
163			257214-4	RING 26	1	PC.
164			251897-2	SCREW M6X33	1	PC.
165			252105-4	HEX. LOCK NUT M8-13	1	PC.
166			253731-2	FLAT WASHER 8	1	PC.
167			416355-7	INDICATION PLATE	1	PC.
168			266026-4	TAPPING SCREW BIND CT 4X12	1	PC.
169			266026-4	TAPPING SCREW BIND CT 4X12	2	PC.
170			266026-4	TAPPING SCREW BIND CT 4X12	2	PC.
171			417993-8	KERF BOARD	1	PC.
172			417993-8	KERF BOARD	1	PC.
173			1350735-CA	BASE ASSY (OLD# 154508-7 or 154687-1)	1	PC.
174			922111-0	HEX. SOCKET HEAD BOLT M4X10	1	PC.
175			153580-6	SQUARE ROD COMPLETE	1	PC.
		INC.	263005-3	RUBBER PIN 6	1	PC.
176			925251-3	HEX.BOLT M5X30	2	PC.
177			266034-5	TAPPING SCREW CT 4X16	2	PC.
178			344601-7	LOCK PLATE	1	PC.
179			317616-7	PIN HOLDER	1	PC.
180			256158-5	PIN 3	1	PC.
181			324288-1	LOCK PIN	1	PC.
182			231325-3	COMPRESSION SPRING 6	1	PC.
183			324289-9	ROD 6	1	PC.
184			416450-3	LOCK LEVER	1	PC.
185			345272-3	LOCK LEVER PLATE	1	PC.

Item No	Type	Ref	Part No	Description	Qty	Unit
186			266034-5	TAPPING SCREW CT 4X16	2	PC.
187			231418-6	COMPRESSION SPRING 9	1	PC.
188			253731-2	FLAT WASHER 8	1	PC.
189	1		266296-5	ADJUST BOLT M8X27	1	PC.
	2		266432-3	ADJUST BOLT M8X27	1	PC.
190			273515-2	GRIP 32	1	PC.
191			286212-1	CAP 20	5	PC.
192			921472-5	HEX. BOLT M8X50	1	PC.
193			251887-5	SCREW M6X10	2	PC.
		INC.	816339A9	MITER SCALE PLATE (31.6D) (OLD# 816339-9 (30D)	1	PC.
194			154506-1	BASE COMPLETE	1	PC.
		INC.	817838-4	CAUTION LABEL	1	PC.
195			344646-5	SLIDE PLATE	1	PC.
196			344646-5	SLIDE PLATE	1	PC.
200			654020-2	RING TERMINAL	2	PC.
201	1		654501-6	CONNECTOR P-1.25	2	PC.
	2		654555-3	CONNECTOR 34130	2	PC.

ACCESSORIES

- See catalogue or visit www.makita.ca for other optional accessories -

A01			122523-9	DUST BAG ASS'Y	1	PC.
		INC.	410602-8	FASTENER	1	PC.
A02			122571-8	VERTICAL VICE ASS'Y	1	PC.
		INC.	316938-2	VICE ARM	1	PC.
		INC.	251887-5	SCREW M6X10	1	PC.
		INC.	322313-2	VICE ROD	1	PC.
		INC.	265733-6	THUMB SCREW M10X60	1	PC.
		INC.	253804-1	FLAT WASHER 6	1	PC.
		INC.	343651-9	VICE PLATE	1	PC.
		INC.	251370-2	+ PAN HEAD SCREW J5	1	PC.
A03			411478-6	SWITCH BUTTON	2	PC.
A04			762001-3	TRIANGULAR RULE	1	PC.
A05			322312-4	HOLDER	2	PC.
	Opt.		192621-3	HOLDER SET (Optional)	1	SET
		INC.	322312-4	HOLDER	2	PC.
		INC.	265708-5	THUMB SCREW M6X20	2	PC.
A06			A-90629	7-1/2" C.T. BLADE 40T (5/8" ARBOR)	1	PC.
	Opt.		A-94487	7-1/2" C.T. BLADE 72T (5/8" ARBOR) (Optional)	1	PC.
A07	1		782223-9	* SOCKET WRENCH	1	PC.
	2		783203-8	* HEX. WRENCH 5	1	PC.
A08			192713-8	EXTENSION ROD HOLDER ASSY	1	PC.
A09			256812-1	ROD 12	1	PC.
A10			122567-9	HORIZONTAL VISE ASSY	1	PC.
A11			122472-0	SET PLATE	1	PC.
A12			257019-2	ADAPTOR RING 20X1.6X5/8" (FOR BLADE)	1	PC.
A13			194175-6	DUST BOX (See Parts breakdown 194175-6)	1	PC.
A14			194943-7	SLIDE MITRE SAW STAND (See Parts breakdown 194943-7)	1	PC.

SERVICE CHANGES

1. Changes on Socket Wrench, Wrench Holder

(T/I# 93358)

Item No.	Description	Type 1	Type 2
A07	Socket Wrench / Hex Wrench	782223-9	783203-8
127	Wrench Holder / Cord Clamp	416536-3	687045-1
128	Tapping Screw Bind CT4x12	266026-4	-----

Above parts are completely interchangeable as a set.

